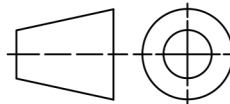


Parameter	mm	Inch
W	2250	89
L	4200	165
H	3200	126
h1	870	34
h2	2600	102
h3	1600	63
d	1200	47

**ÖNDERMAK**  
Eskişehir  
Hamur İşleme Ekipmanları Ve Firmaları  
Bakery Equipment & Ovens

TOLERANCE	UPDATE	Date
%1,00 +/-	2025	01.01.2020
notes		
CAD		

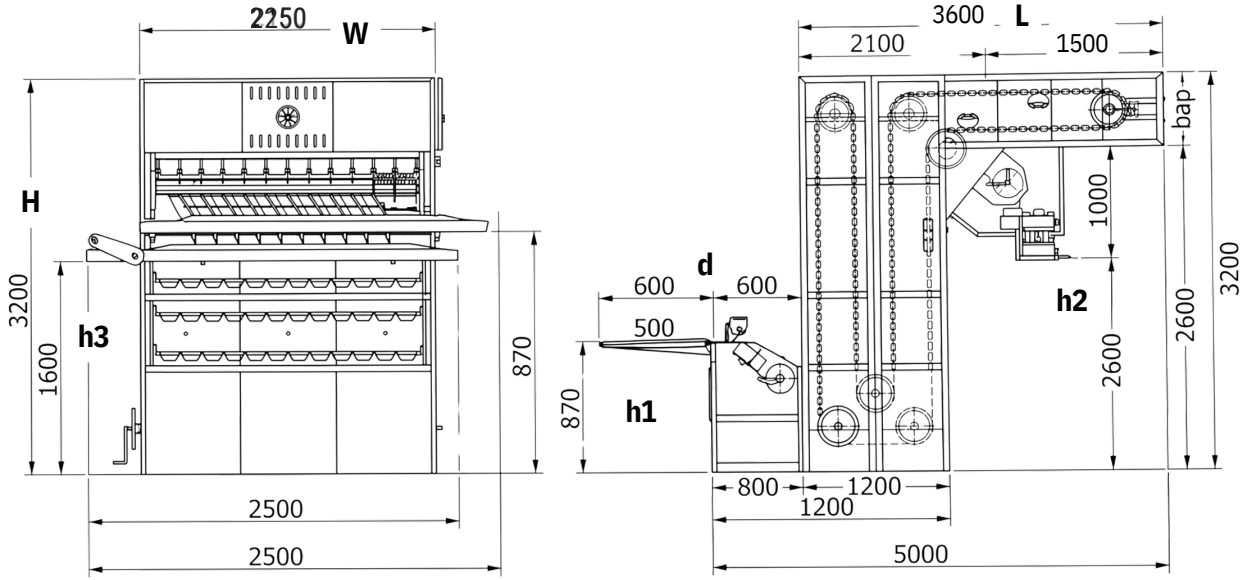


Material	DIN
KG	N/A
Scale:	A4

Model Name :  
**ADM 4800**

Model Nr. **ADM SERIES**

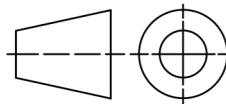
by ondermak - size and dimension scan be changed by producer



Parameter	mm	Inch
W	2250	89
L	3600	142
H	3200	126
h1	870	34
h2	2600	102
h3	1600	63
d	1200	47



TOLERANCE	UPDATE	Date
%1,00 +/-	2025	01.01.2020



Material	DIN
KG	N/A
Scale:	A4

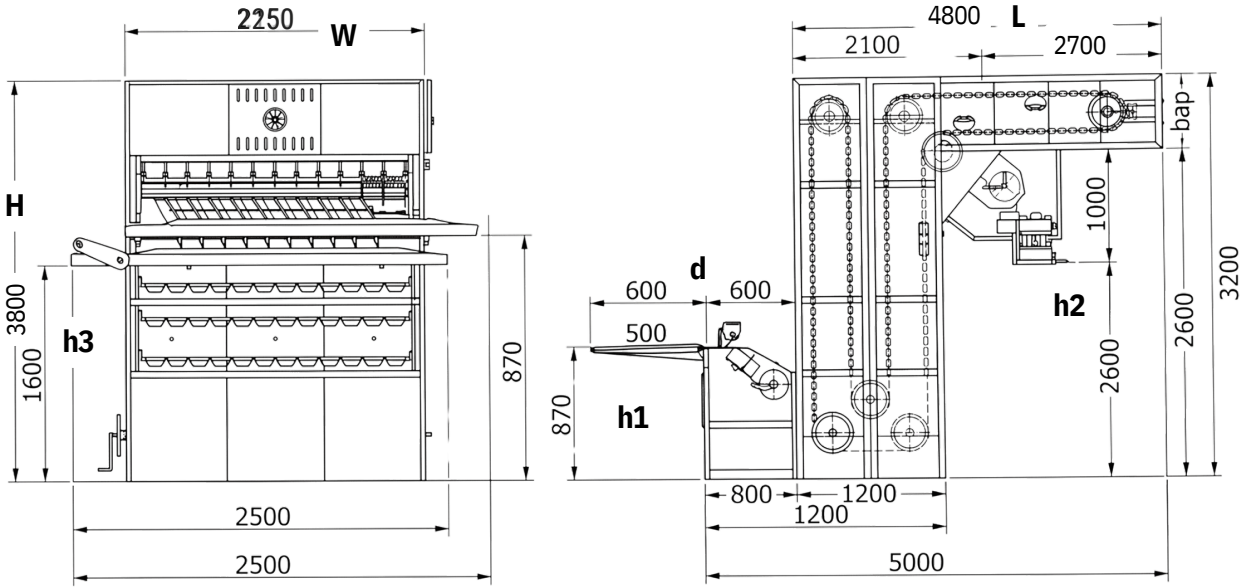
Model Name :  
ADM 3600

Model Nr. ADM SERIES

notes

CAD

by ondermak - size and dimension scan be changed by producer

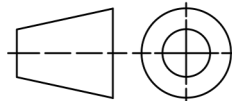


Parameter	mm	Inch
W	2250	89
L	4800	189
H	3800	150
h1	870	34
h2	2600	102
h3	1600	63
d	1200	47



TOLERANCE	UPDATE	Date
%1,00 +/-	2025	01.01.2020

notes



Material	DIN
KG	N/A
Scale:	A4

Model Name :  
**ADM 6000**

Model Nr. **ADM SERIES**