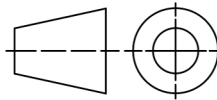


Parameter	mm	Inch
W	500	20
L (V1400)	1400	55
L (V1500)	1500	59
H	600	24



TOLERANCE	UPDATE	Date
%1,00 +/-	2025	01.01.2020



Material	DIN
KG	N/A
Scale:	A4

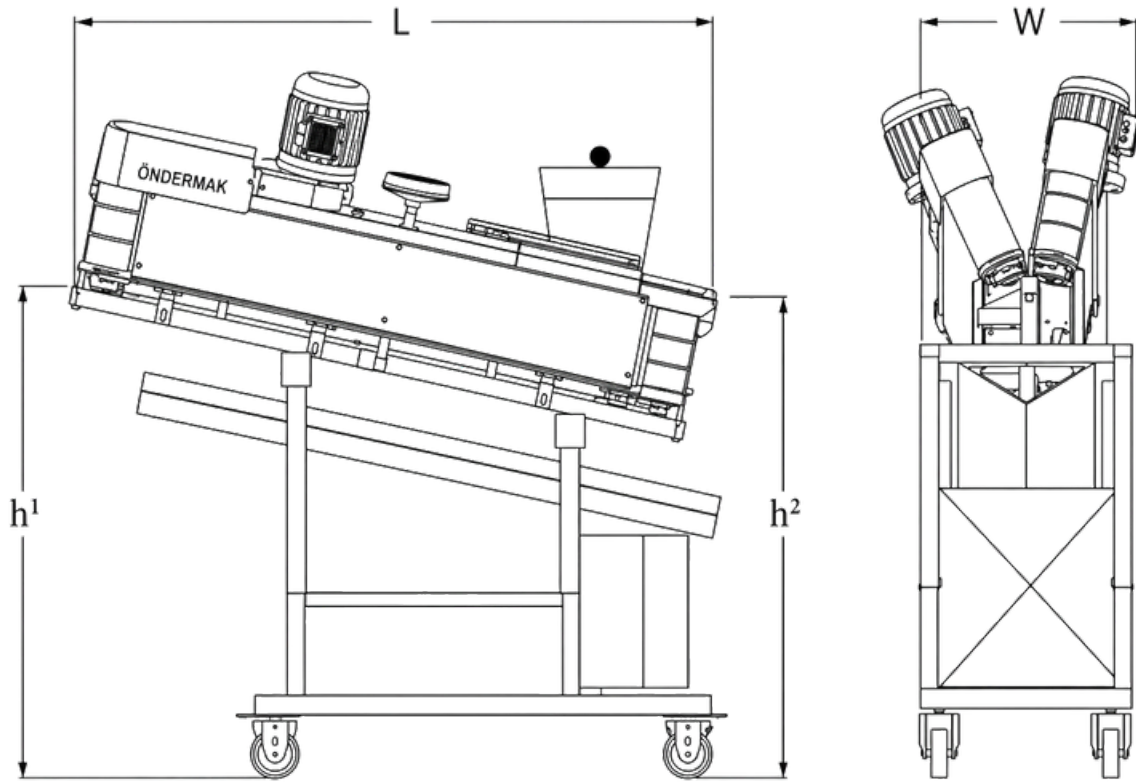
Model Name :  
kym V-BELT MINI

Model Nr. vbelt

notes

CAD

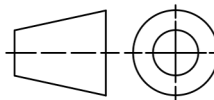
by ondermak - size and dimension scan be changed by producer



Parameter	mm	Inch
W	500	20
L	1500-1700-1900	59-67-74,8"
H	1200 - 1500	47"- 59"
h1	700-1000	27"- 39"
h2	750-1100	29" - 43"



TOLERANCE	UPDATE	Date
%1,00 +/-	2025	01.01.2020



Material	DIN
KG	N/A
Scale:	A4

Model Name :  
**KYM V BELT**

Model Nr. **B BELT**

notes

CAD

by ondermak - size and dimension can be changed by producer