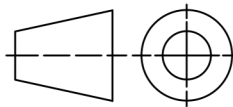


Parameter	mm	Inch
W	1000	39
L	1000	39
H	1585	62
h1	1050	41



TOLERANCE	UPDATE	Date
%1,00 +/-	2025	01.01.2020
notes		



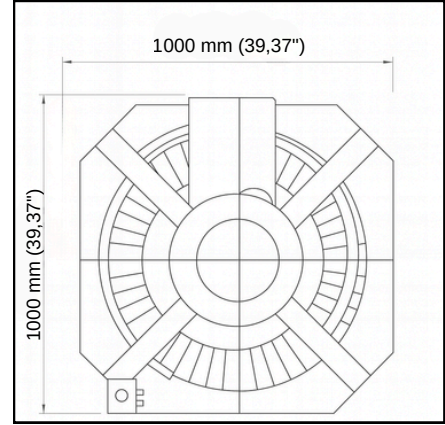
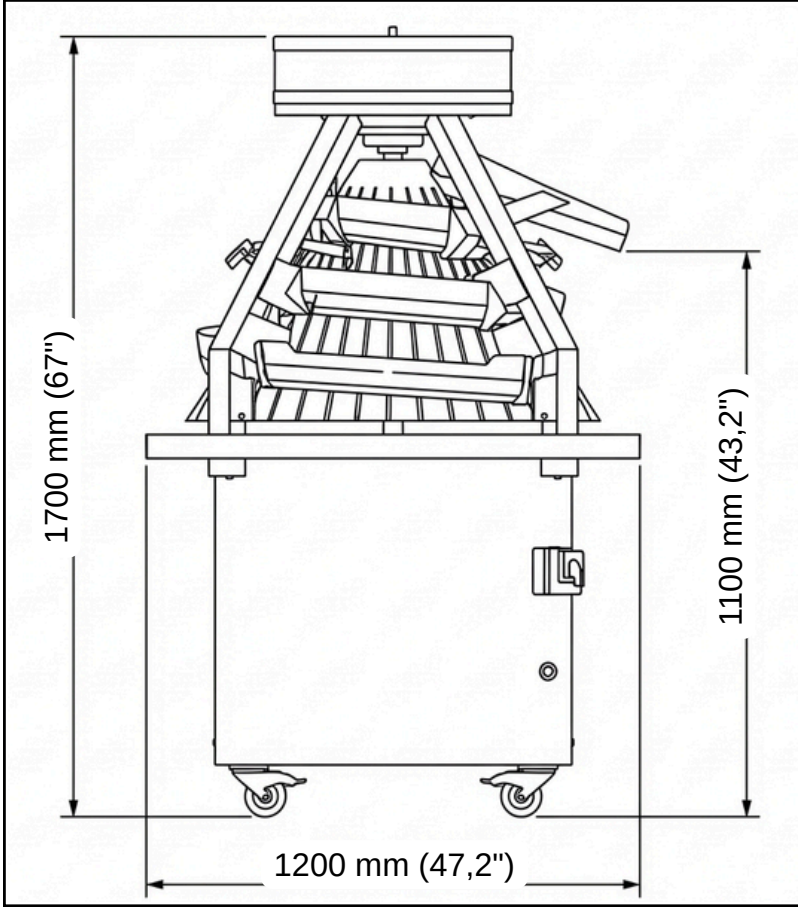
Material	DIN
KG	N/A
Scale:	A4

Model Name :
KYM 1600 -1800-2000-4800

Model Nr. KYM SERIES

CAD

by ondermak - size and dimension scan be changed by producer



Parameter	mm	Inch
W	1200	47
L	1200	47
H	1700	67
h1	1100	43



TOLERANCE	UPDATE	Date
%1,00 +/-	2025	01.01.2020
notes		

Material	DIN
KG	N/A
Scale:	A4
Model Name : KYM PRO	
Model Nr. KYM PRO	

CAD

by ondermak - size and dimension scan be changed by producer