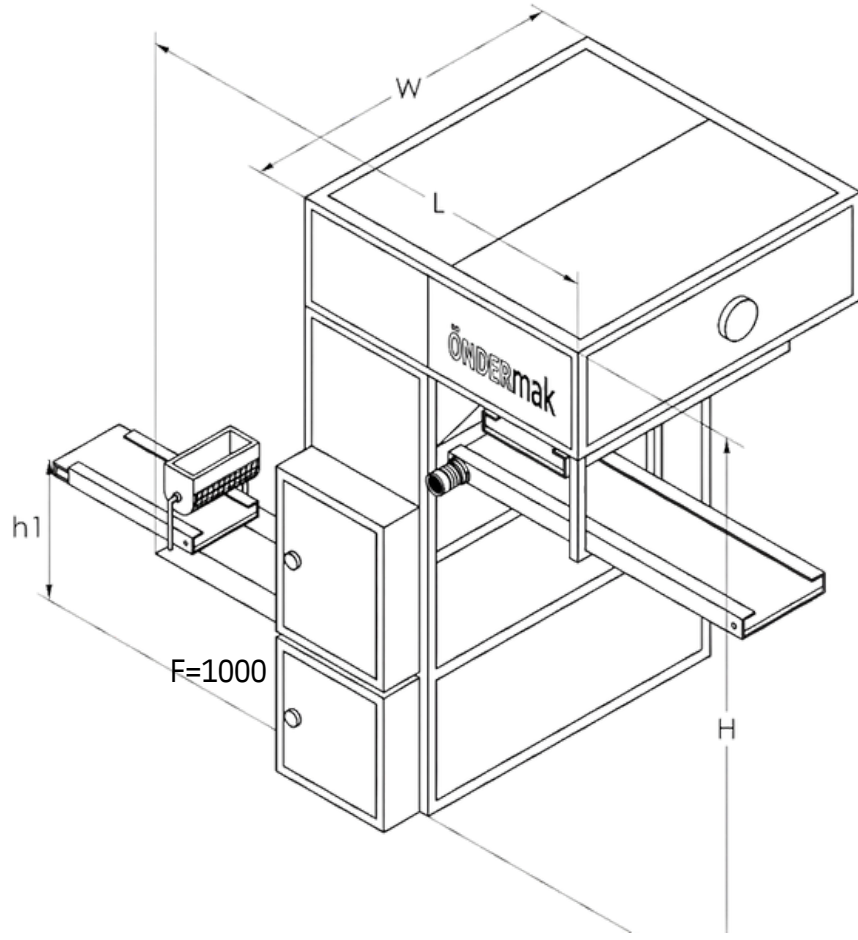


Parameter	mm	Inch
W	1930	76
L	1600	63
H	2350	93
h1	1105	44
h2	964	38
h3	1750	69
d	750	30



TOLERANCE	UPDATE	Date		Material	DIN
%1,00 +/-	2025	01.01.2020		KG	N/A
notes			Model Name :	Scale: A4	
			ADM 1800		
			Model Nr.	ADM SERIES	
CAD	by ondermak - size and dimension scan be changed by producer				



ADM 1800

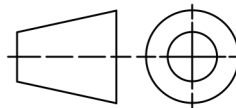
Parameter	mm	Inch
W	1930	76
L	1600	63
H	2350	93
h1	1100	43
h2	964	38
h3	1750	69
f	1000	39

ADM 2000 - 3000

Parameter	mm	Inch
W	1930	76
L	2300	91
H	2350	93
h1	1200	47
h2	964	38
h3	1850	73
f	1000	39



TOLERANCE	UPDATE	Date
%1,00 +/-	2025	01.01.2020
notes		



Material	DIN
KG	N/A
Scale:	A4

Model Name :
ADM FRONT FEED

Model Nr. **ADM SERIES**

CAD

by ondermak - size and dimension can be changed by producer