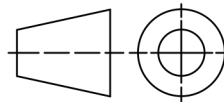


Parameter	mm	Inch
W	700	28
L	1450	57
H	1720	68
d	700	28
c	620	24
e	700	28
f	950	37



TOLERANCE	UPDATE	Date
%1,00 +/-	2025	01.01.202

notes



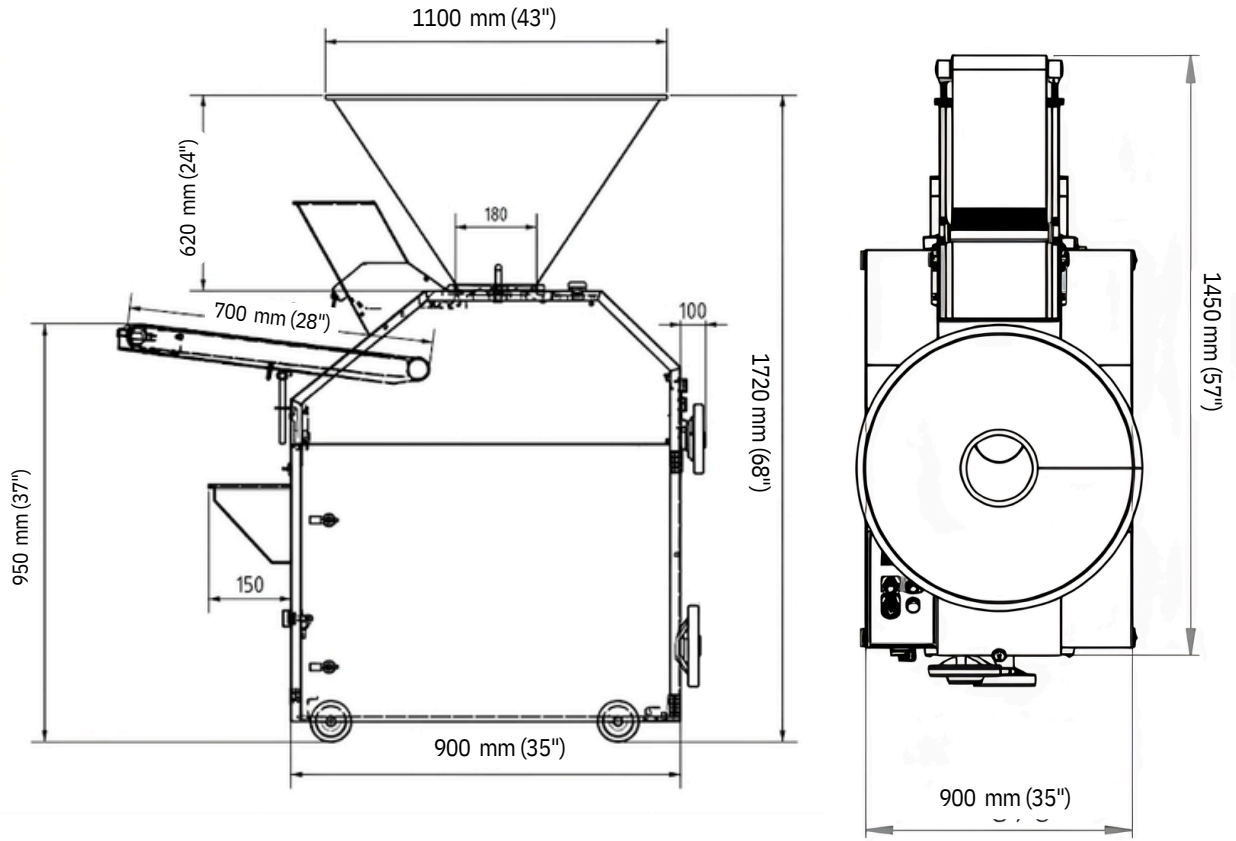
Material	DIN
KG	N/
Scale:	A A4

Model Name :  
**KST 2000 SINGLE**

Model Nr. **KST SERIES**

CAD

by ondermak - size and dimension scan can be changed by producer

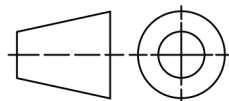


Parameter	mm	Inch
W	900	35
L	1450	57
H	1720	68
d	1100	43
c	620	24
e	700	28
f	950	37



TOLERANCE	UPDATE	Date
%1,00 +/-	2025	01.01.202

notes



Material	DIN
KG	N/
Scale:	A A4

Model Name :  
**KST 2000 DOUBLE**

Model Nr. **KST SERIES**

CAD by ondermak - size and dimension scan can be changed by producer