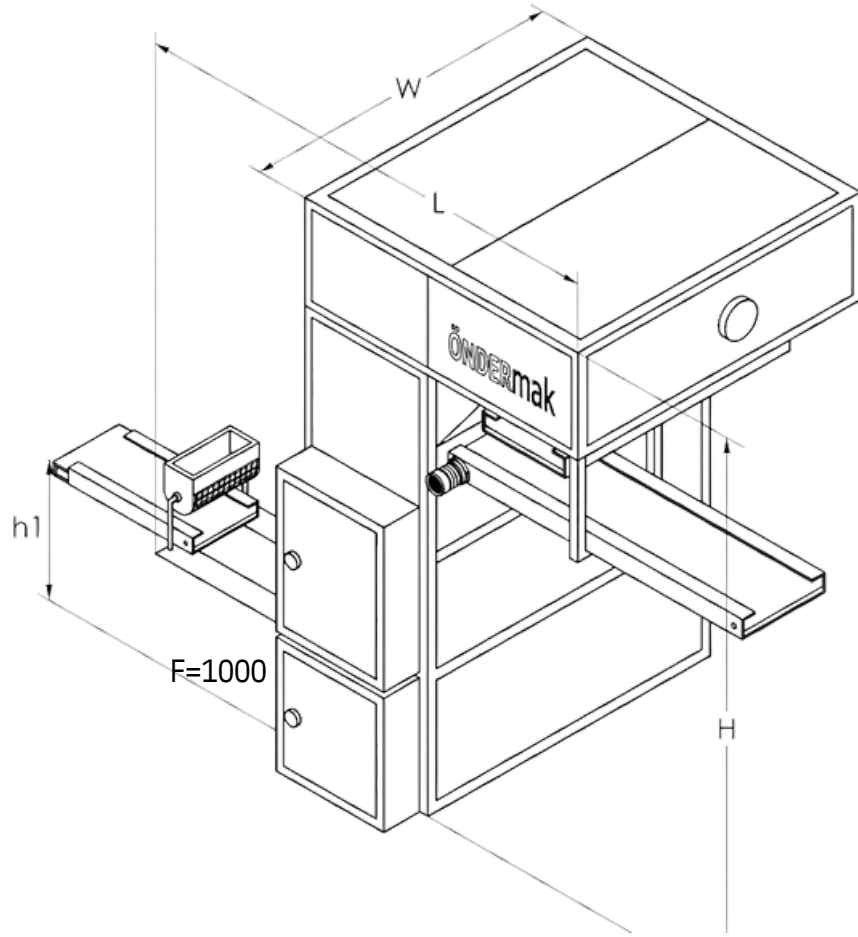


Parameter	mm	Inch
W	1930	76
L	2300	91
H	2450	96
h1	1200	47
h2	964	38
h3	1850	73
d	750	30



TOLERANCE	UPDATE	Date	Material	DIN
%1,00 +/-	2025	01.01.2020	KG	N/A
			Scale:	A4
notes			Model Name : ADM 2000/3000	
CAD			Model Nr. ADM SERIES	
by ondermak - size and dimension scan be changed by producer				



ADM 1800

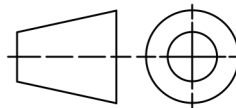
Parameter	mm	Inch
<b>W</b>	1930	76
<b>L</b>	1600	63
<b>H</b>	2350	93
<b>h1</b>	1100	43
<b>h2</b>	964	38
<b>h3</b>	1750	69
<b>f</b>	1000	39

ADM 2000 - 3000

Parameter	mm	Inch
<b>W</b>	1930	76
<b>L</b>	2300	91
<b>H</b>	2350	93
<b>h1</b>	1200	47
<b>h2</b>	964	38
<b>h3</b>	1850	73
<b>f</b>	1000	39



TOLERANCE	UPDATE	Date
%1,00 +/-	2025	01.01.2020
notes		
CAD		



Material	DIN
KG	N/A
Scale:	A4

Model Name :  
**ADM FRONT FEED**

Model Nr. **ADM SERIES**

by ondermak - size and dimension scan be changed by producer